


Company name:
GRUNDFOS 
Created by:
Phone:
Date:

Position	Qty.	Description
	1	<p>CMB 5-46 A-C-A-A-B-B</p>  <p style="text-align: center;">Note! Product picture may differ from actual product</p> <p>Product No.: 97530169</p> <p>The Grundfos CM Booster with pressure manager PM1 is a compact booster set for water supply in domestic applications. The pressure booster unit consists of a Grundfos CM pump and a Grundfos pressure manager PM1. The pressure manager allows the pump to start and stop automatically according to demand and protects the pump from dry running. The CM Booster is very easy to install. When the booster has been connected to the pipework, it is all a matter of plugging the plug into a socket, and the system is operational.</p> <p>Features</p> <ul style="list-style-type: none"> • compact • easy installation • dry-running protection • anti cycling (leakage detection). <p>Applications</p> <p>Grundfos CM PM1 Booster is mainly used for domestic and light commercial water supply or booster systems.</p> <p>NB:</p> <p>Suction lift: Max. 1 m, including suction-pipepressure loss at a liquid temperature of +20 °C. (not self-priming)</p> <p>Liquid:</p> <p>Pumped liquid: Water Liquid temperature range: 0 .. 60 °C Liquid temperature during operation: 20 °C Density: 998.2 kg/m³</p> <p>Technical:</p> <p>Actual calculated flow: 70.64 l/min Resulting head of the pump: 37.69 m Primary shaft seal: AVBE Approvals and markings: CE,C-TICK Start pressure: PM1 - 2.2 bar</p> <p>Materials:</p> <p>Pump housing: Cast iron</p>

Company name:



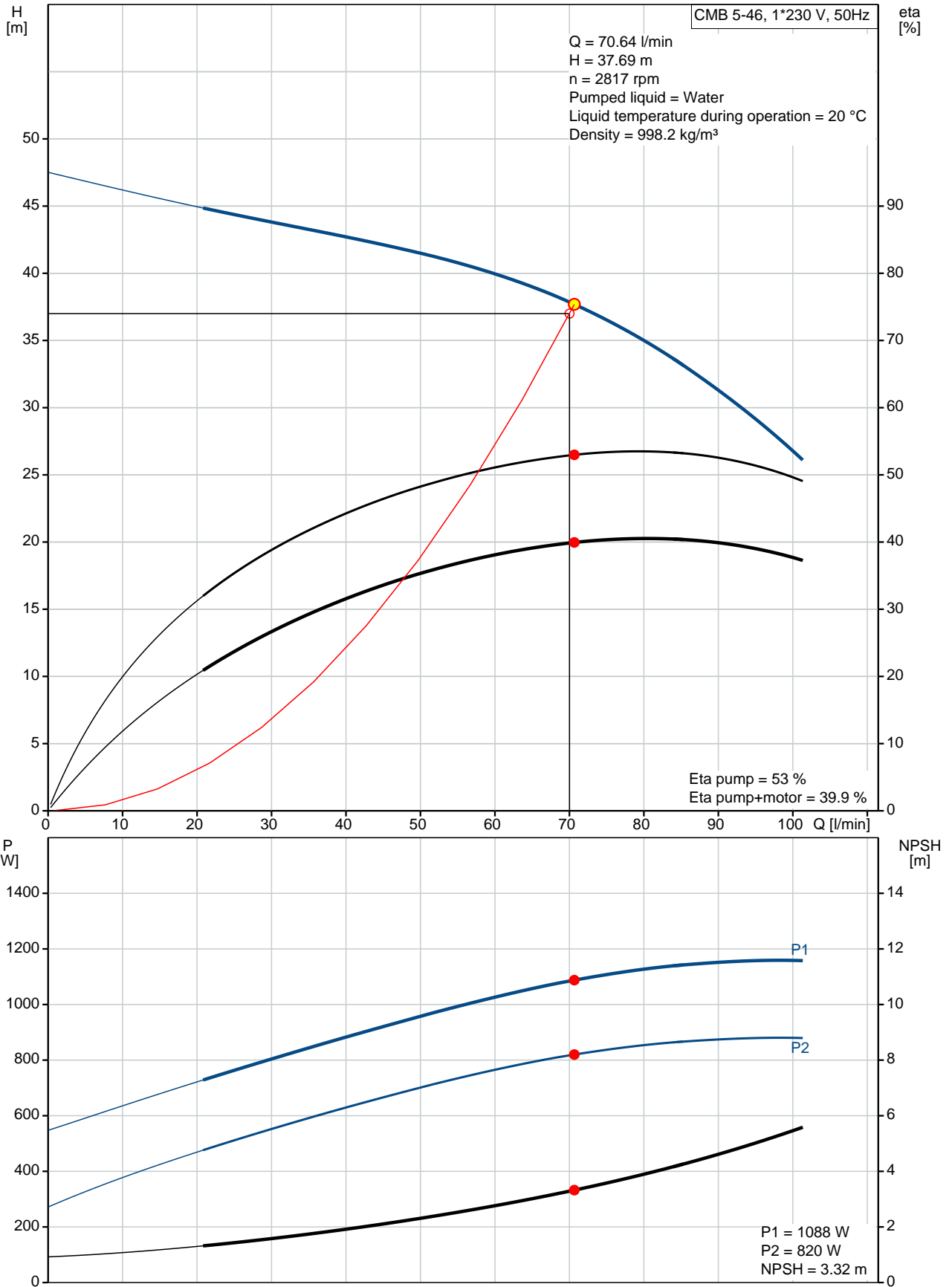
Created by:

Phone:

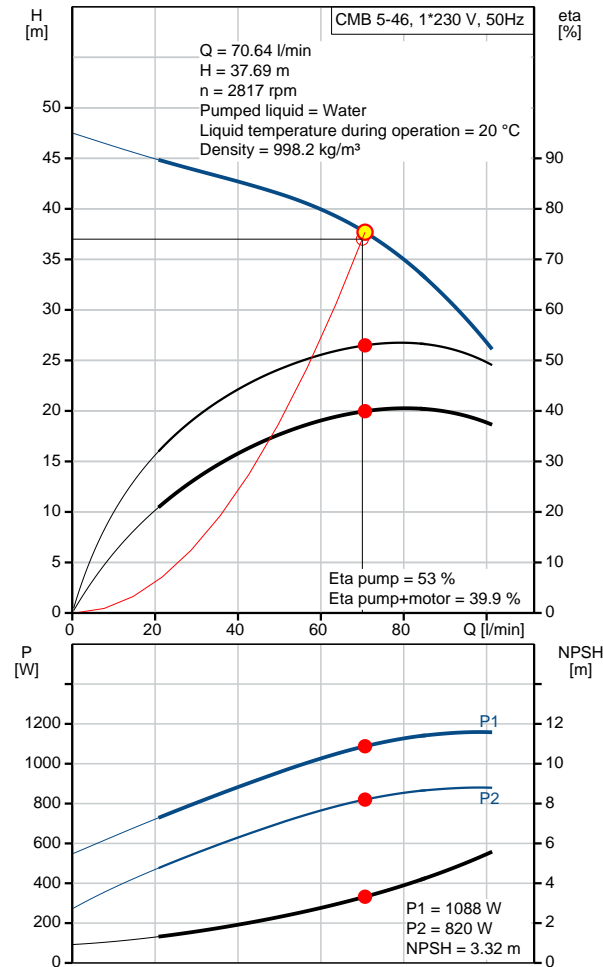
Date:

Position	Qty.	Description
		EN-JL1030 ASTM 30 B Impeller: Stainless steel DIN W.-Nr. 1.4301 AISI 304 Rubber: EPDM
		Installation: Maximum ambient temperature: 55 °C Flange standard: WHITWORTH THREAD RP Pump inlet: Rp 1 1/4 Pump outlet: EXT. G1
		Electrical data: Rated power - P2: 0.9 kW Mains frequency: 50 Hz Rated voltage: 1 x 220-240 V Maximum current consumption: 5.4-5.0 A Rated speed: 2750-2790 rpm Enclosure class (IEC 34-5): IP55 Insulation class (IEC 85): F Type of cable plug: AU Mains cable: 1.5 m
		Others: Net weight: 16.2 kg Gross weight: 20.5 kg

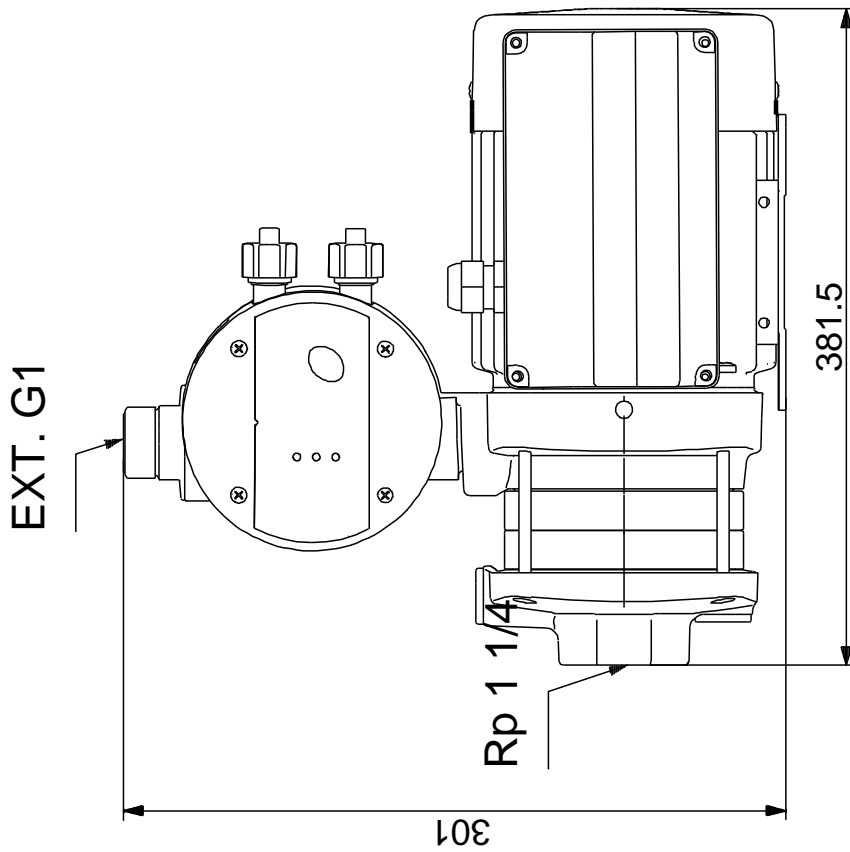
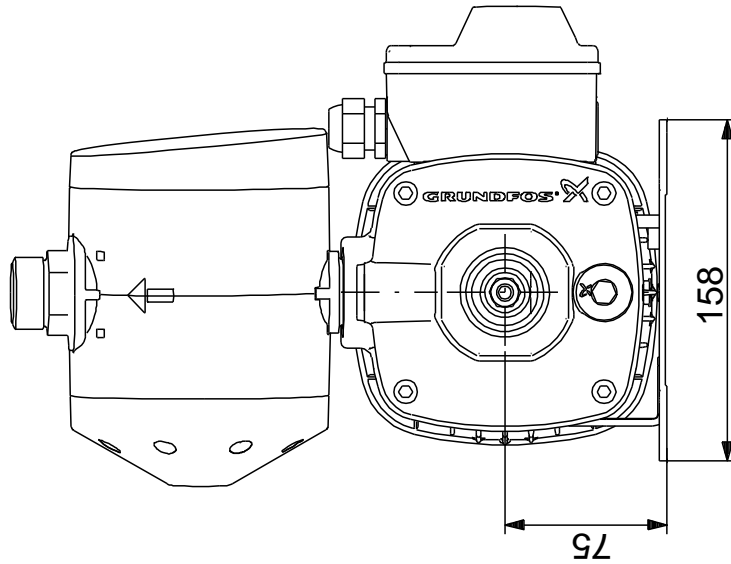
97530169 CMB 5-46 A-C-A-A-B-B 50 Hz



Description	Value
General information:	
Product name:	CMB 5-46 A-C-A-A-B-B
Product No:	97530169
EAN number:	5700317867437
Technical:	
Actual calculated flow:	70.64 l/min
Resulting head of the pump:	37.69 m
Impellers:	5
Primary shaft seal:	AVBE
Approvals and markings:	CE,C-TICK
Model:	A
Start pressure:	PM1 - 2.2 bar
Materials:	
Pump housing:	Cast iron
	EN-JL1030
	ASTM 30 B
Impeller:	Stainless steel
	DIN W.-Nr. 1.4301
	AISI 304
Rubber:	EPDM
Installation:	
Maximum ambient temperature:	55 °C
Flange standard:	WHITWORTH THREAD RP
Pump inlet:	Rp 1 1/4
Pump outlet:	EXT. G1
Liquid:	
Pumped liquid:	Water
Liquid temperature range:	0 .. 60 °C
Liquid temperature during operation:	20 °C
Density:	998.2 kg/m ³
Electrical data:	
Rated power - P2:	0.9 kW
Mains frequency:	50 Hz
Rated voltage:	1 x 220-240 V
Maximum current consumption:	5.4-5.0 A
p max system:	10 bar
Rated speed:	2750-2790 rpm
Enclosure class (IEC 34-5):	IP55
Insulation class (IEC 85):	F
Motor protec:	TP 211
Type of cable plug:	AU
Mains cable:	1.5 m
Others:	
Net weight:	16.2 kg
Gross weight:	20.5 kg



97530169 CMB 5-46 A-C-A-A-B-B 50 Hz



Note! All units are in [mm] unless others are stated.
Disclaimer: This simplified dimensional drawing does not show all details.